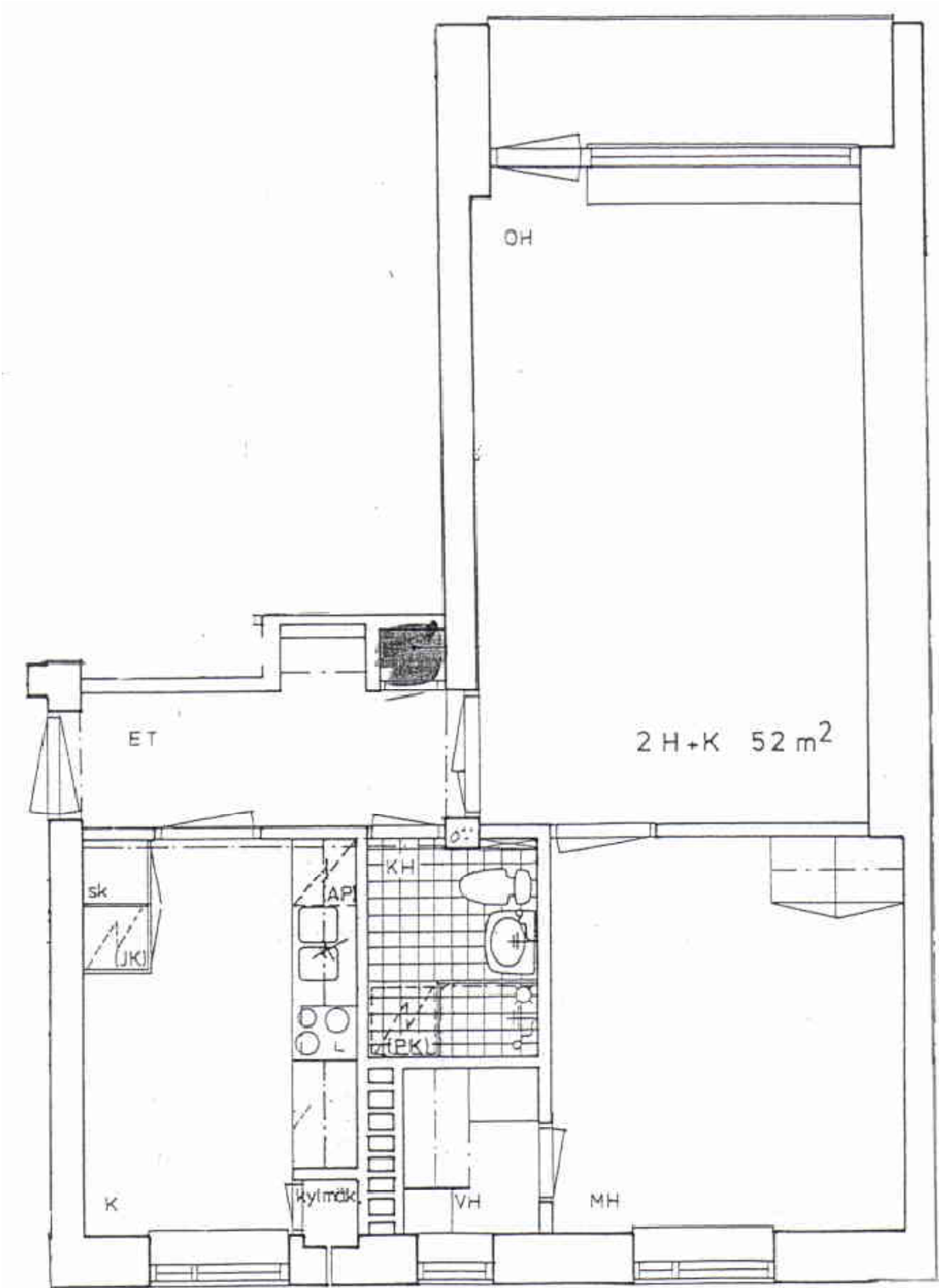
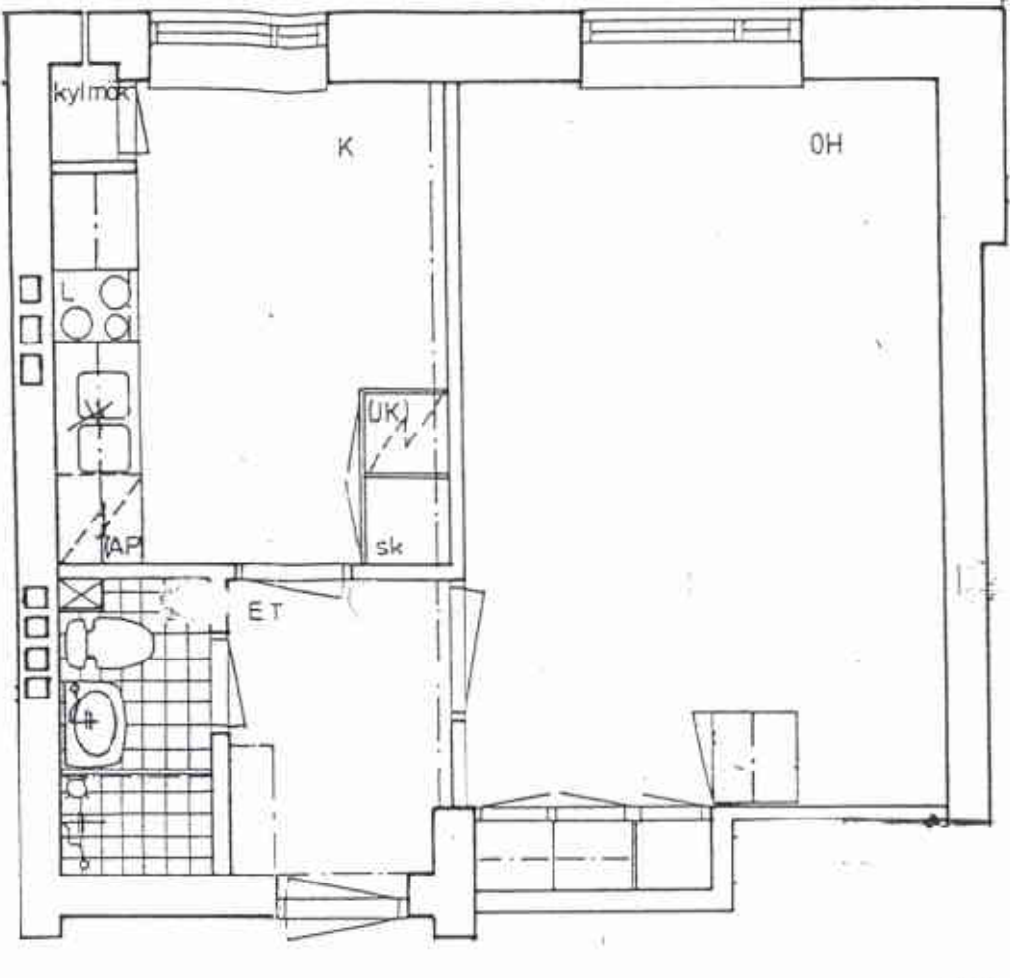


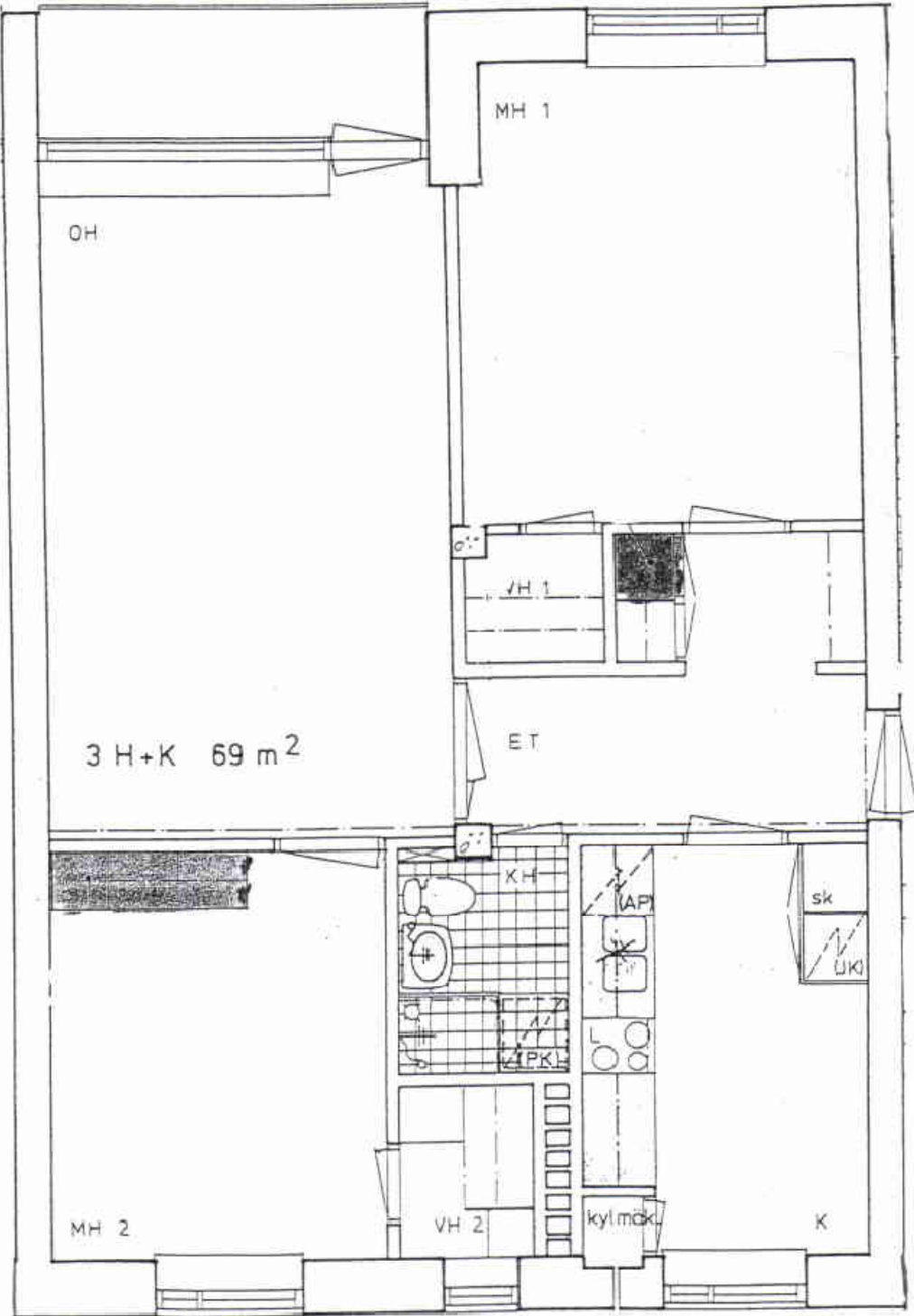
Tolarintie 8 V 178, 1. krs



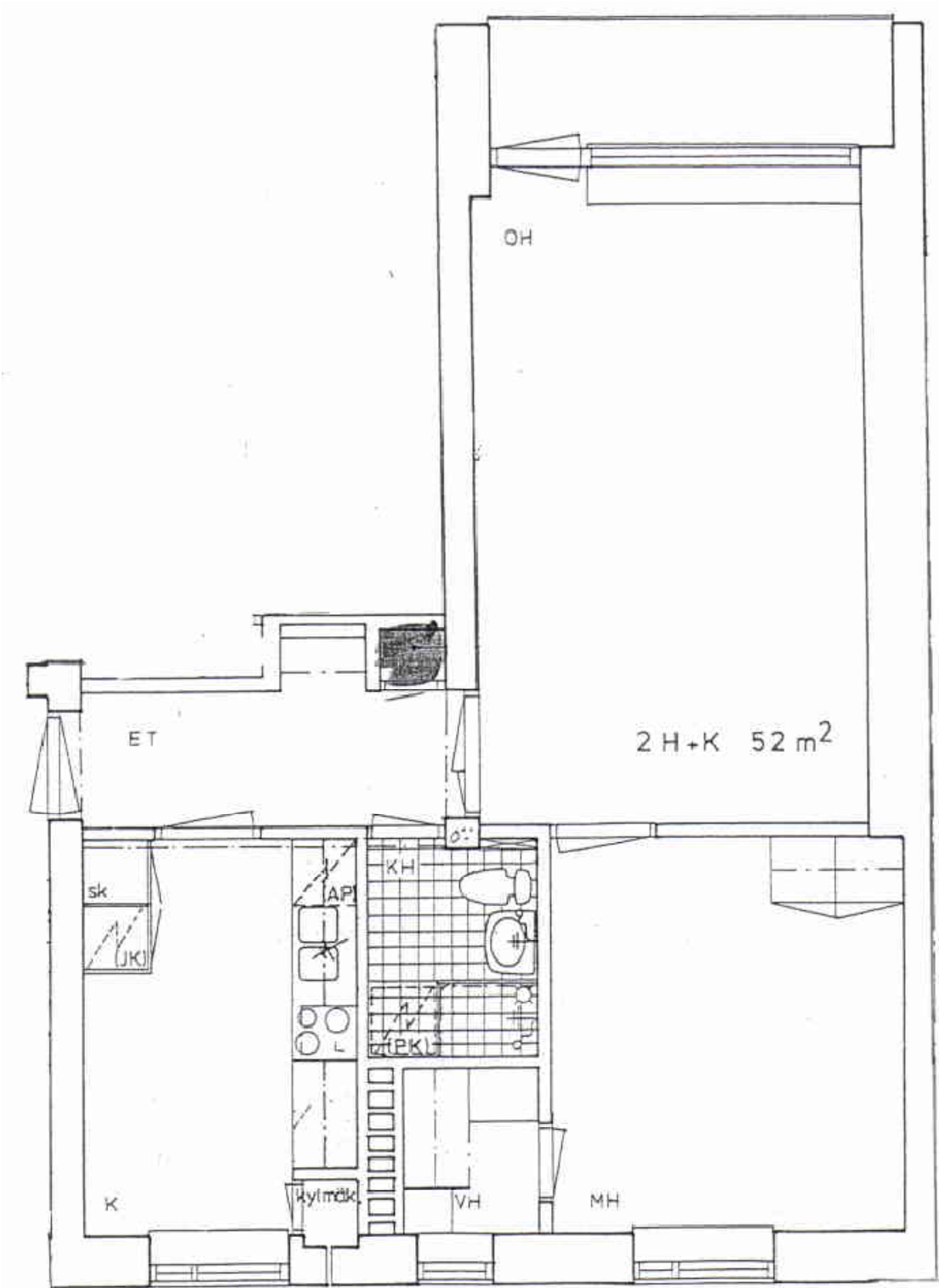
Tolarintie 8 V 179, 1. krs



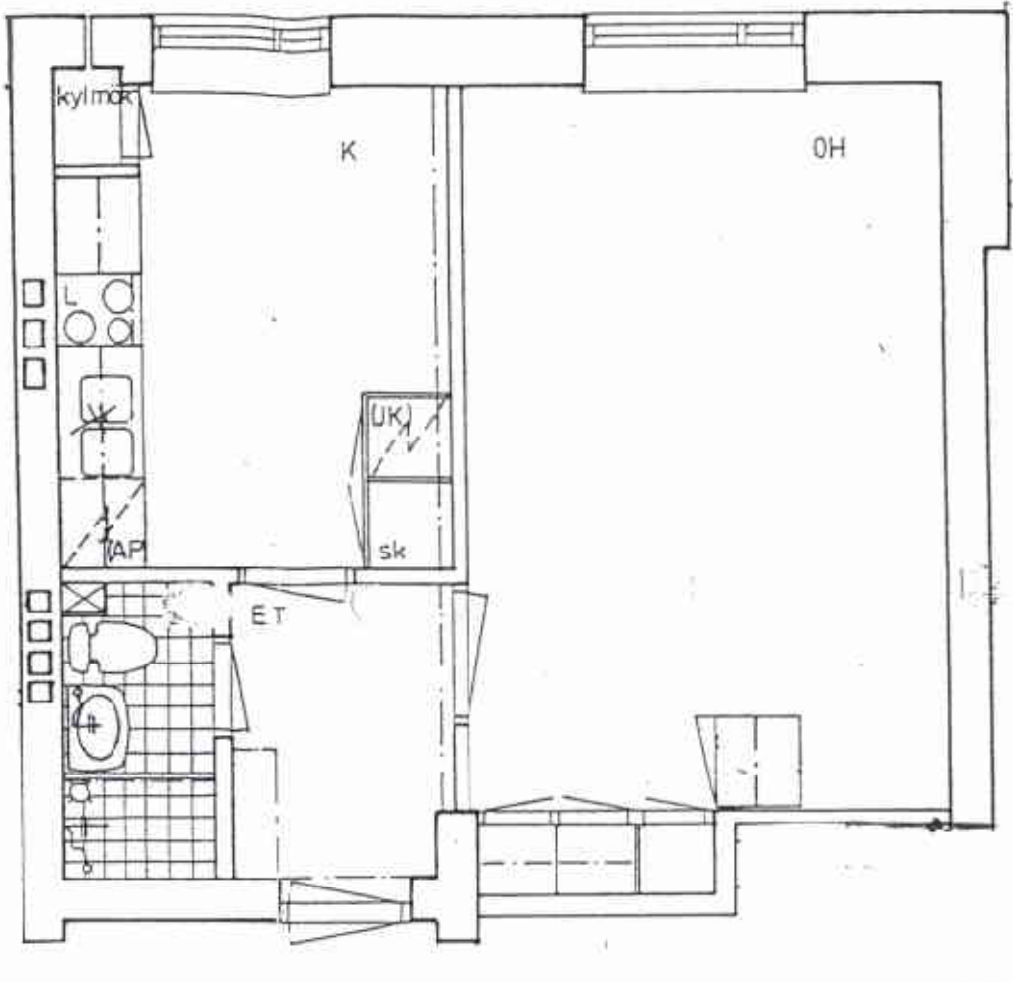
Tolarintie 8 V 180, 1. krs



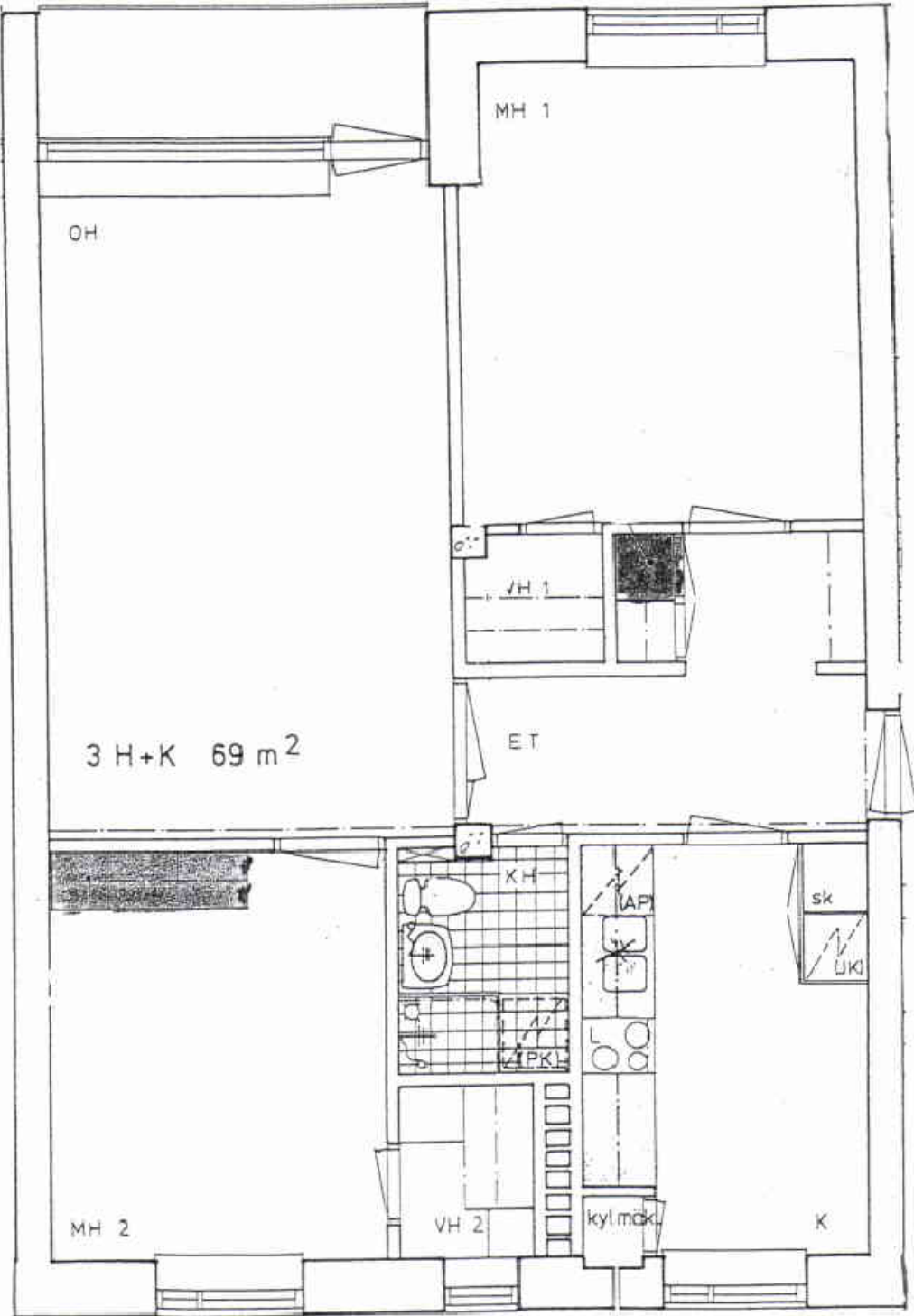
Tolarintie 8 V 181, 2. krs



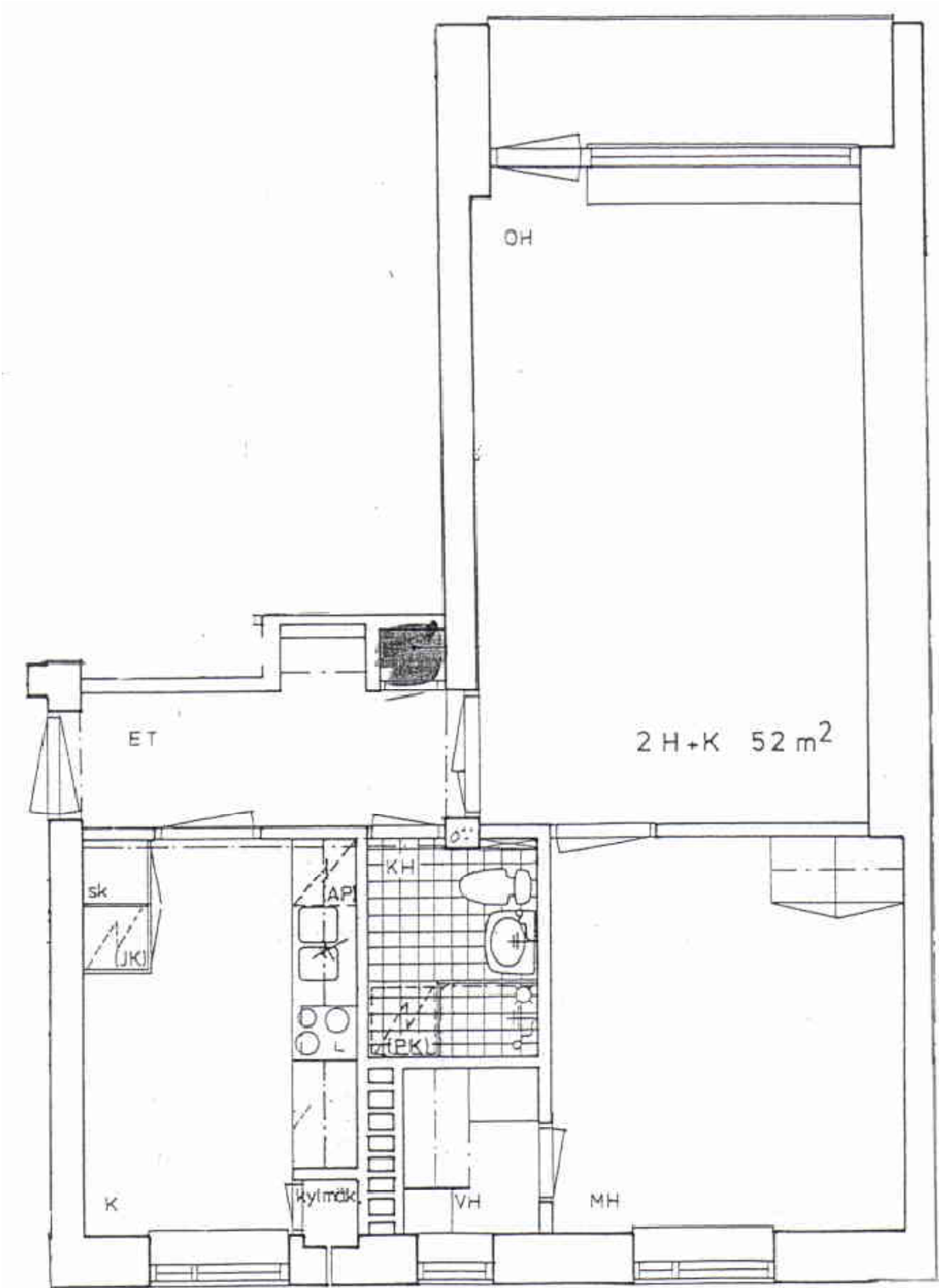
Tolarintie 8 V 182, 2. krs



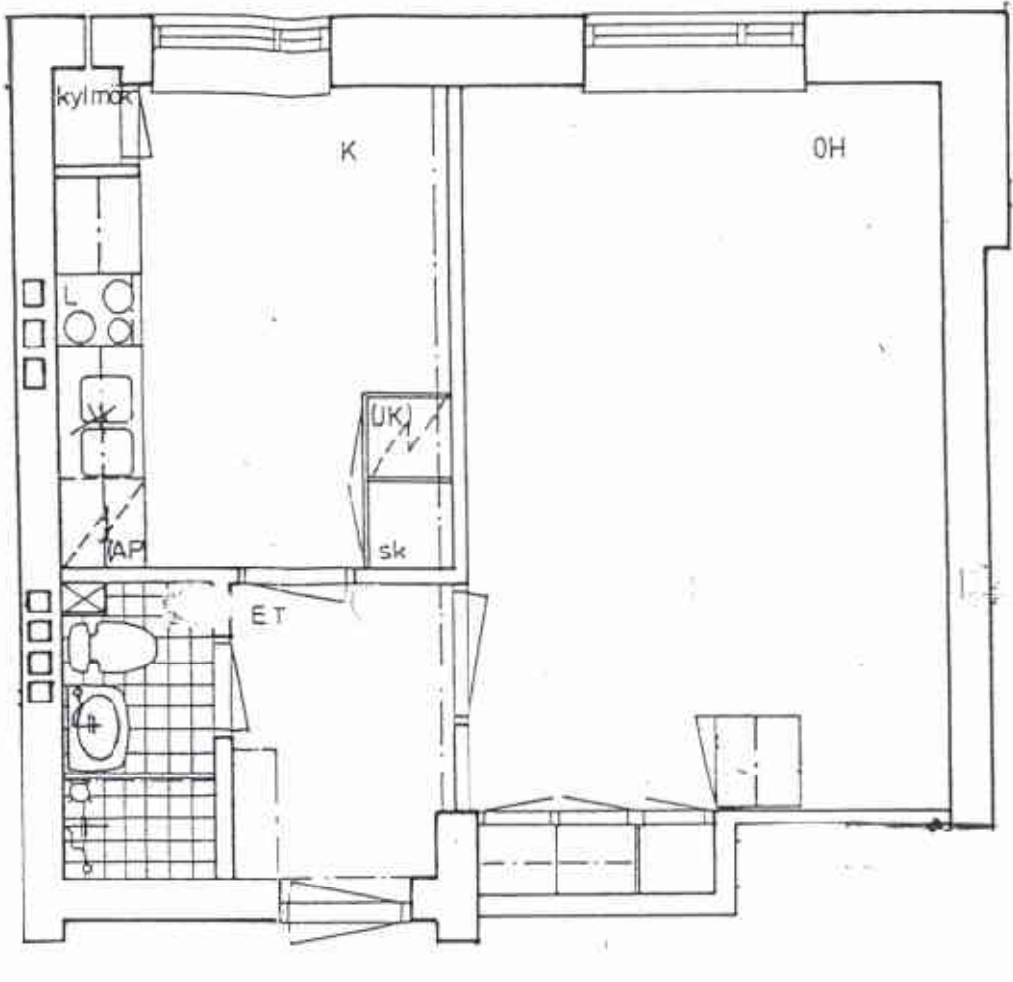
Tolarintie 8 V 183, 2. krs



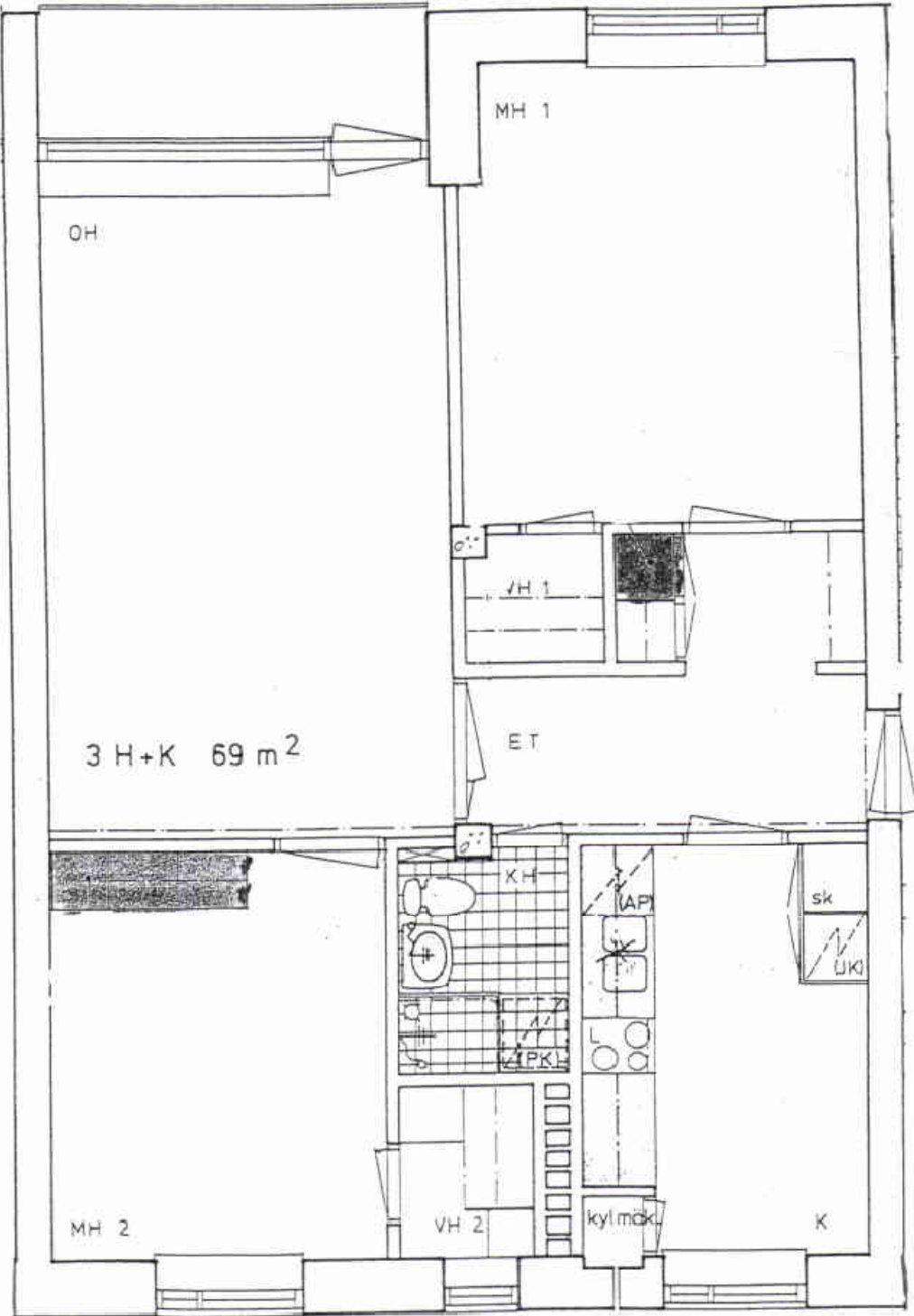
Tolarintie 8 V 184, 3. krs



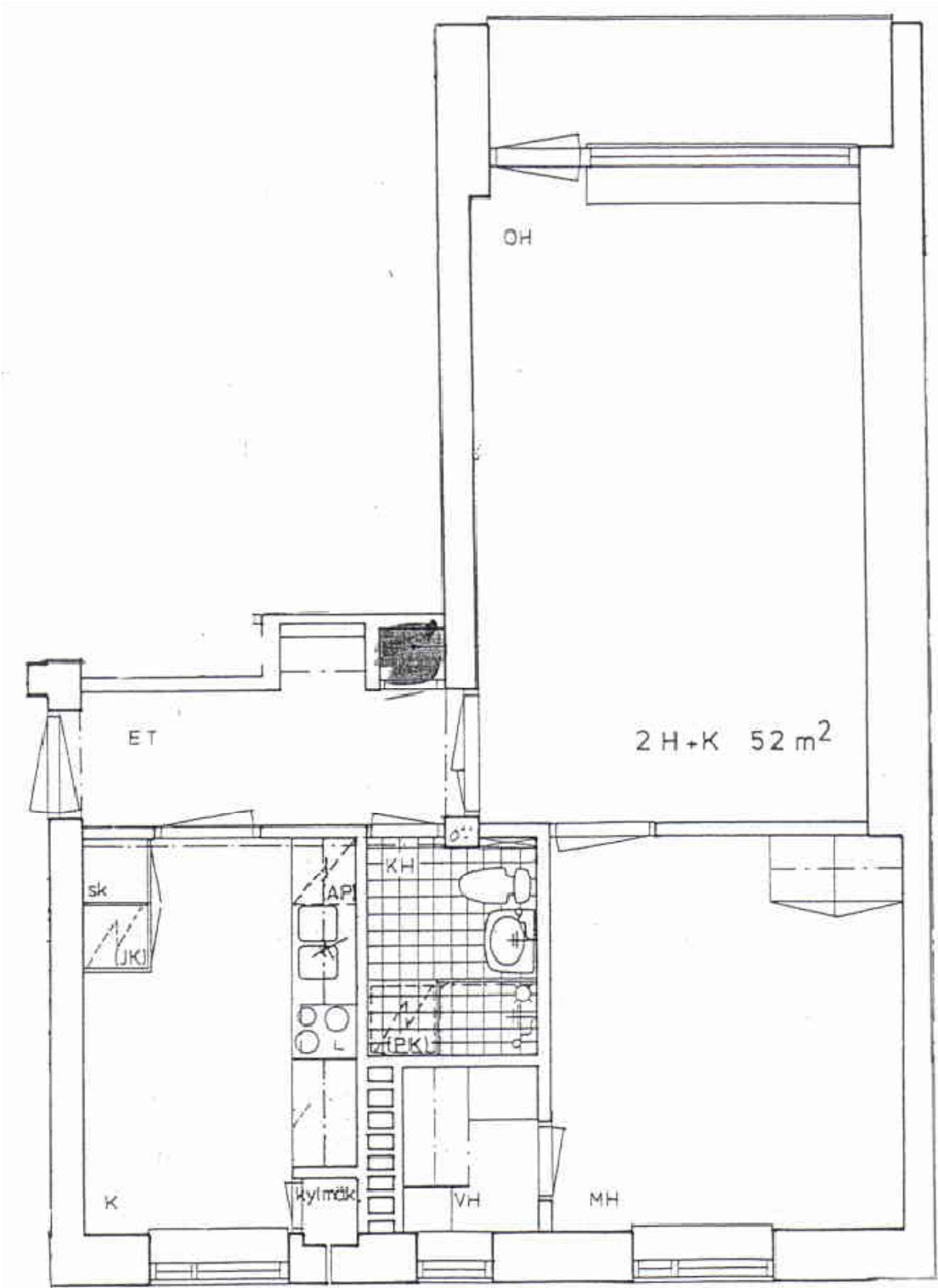
Tolarintie 8 V 185, 3. krs



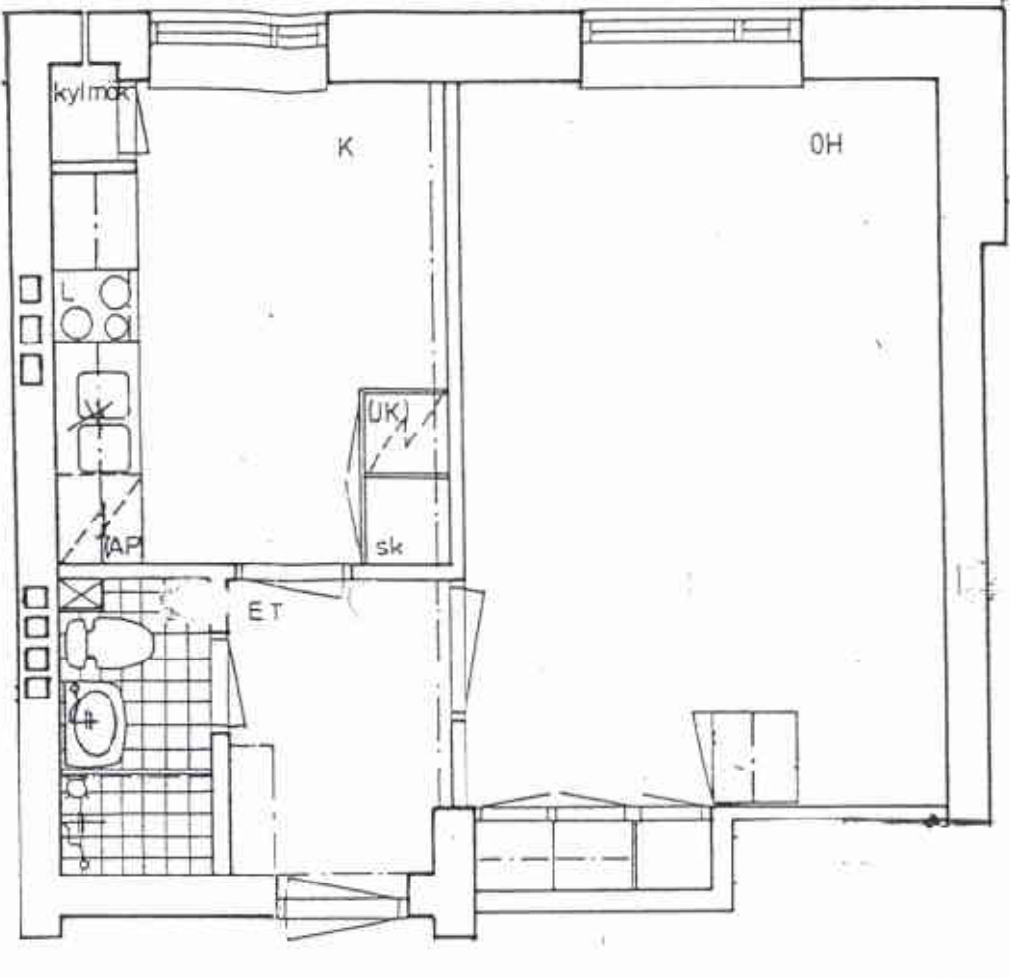
Tolarintie 8 V 186, 3. krs



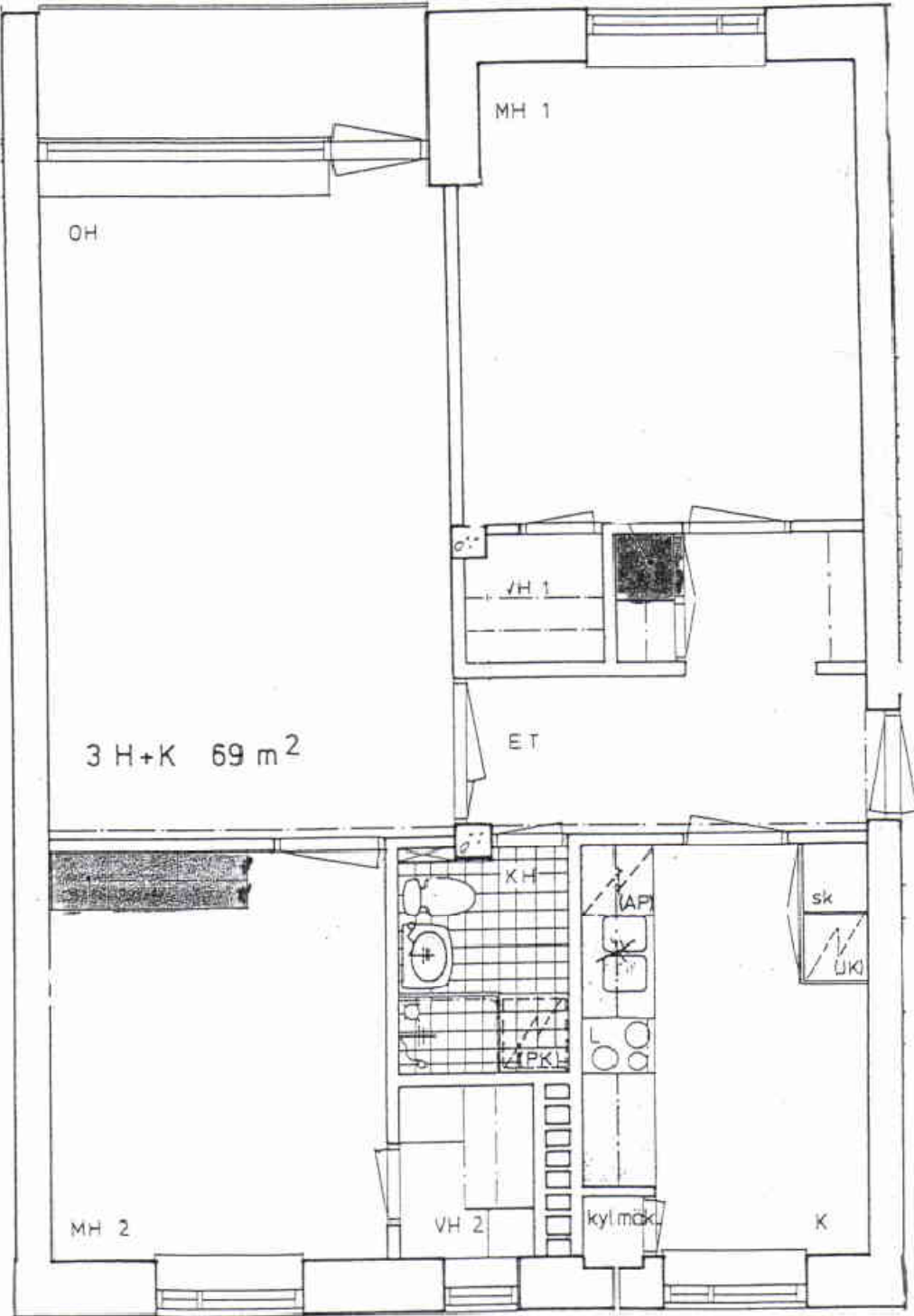
Tolarintie 8 X 187, 1. krs



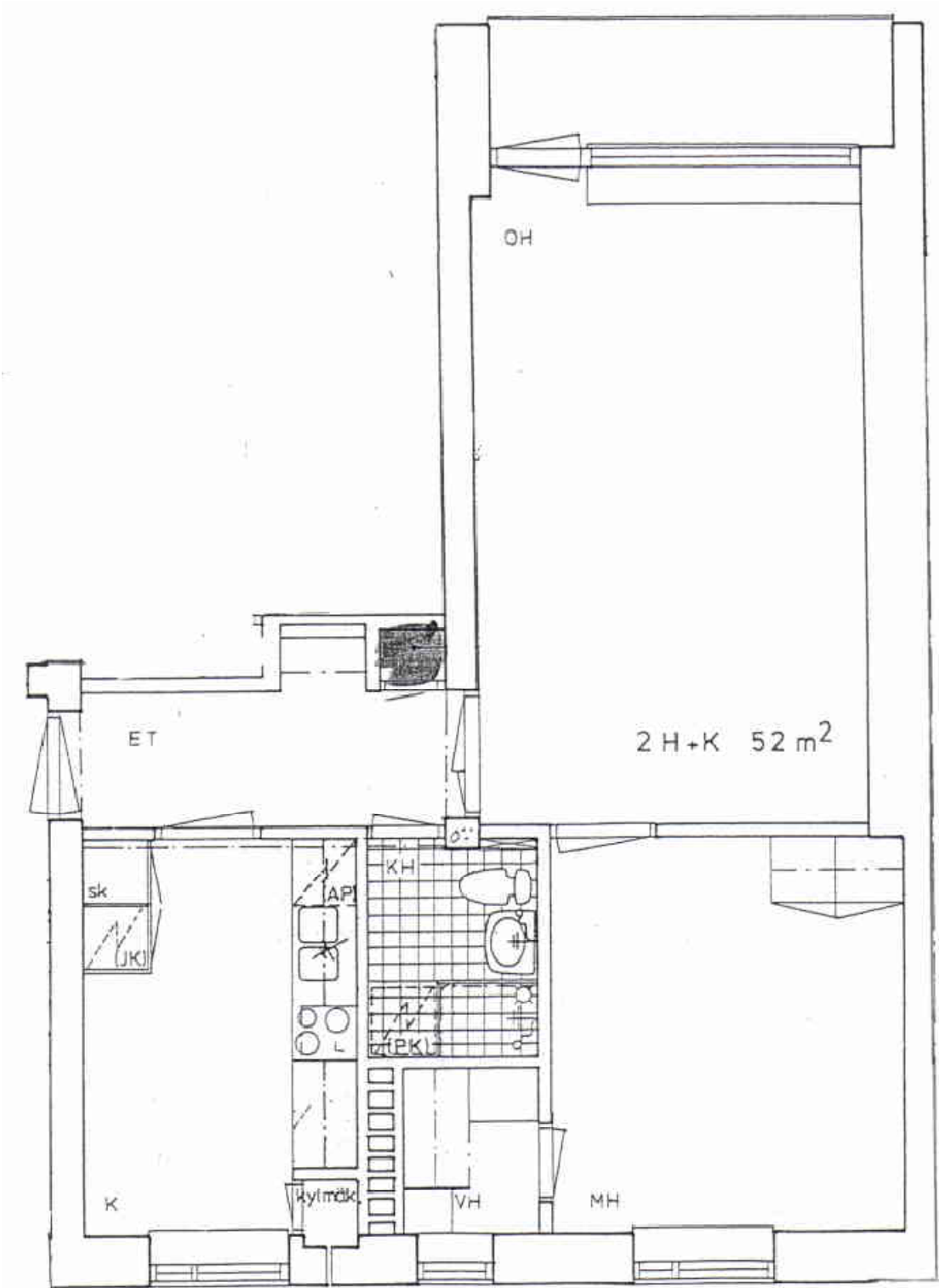
Tolarintie 8 X 188, 1. krs



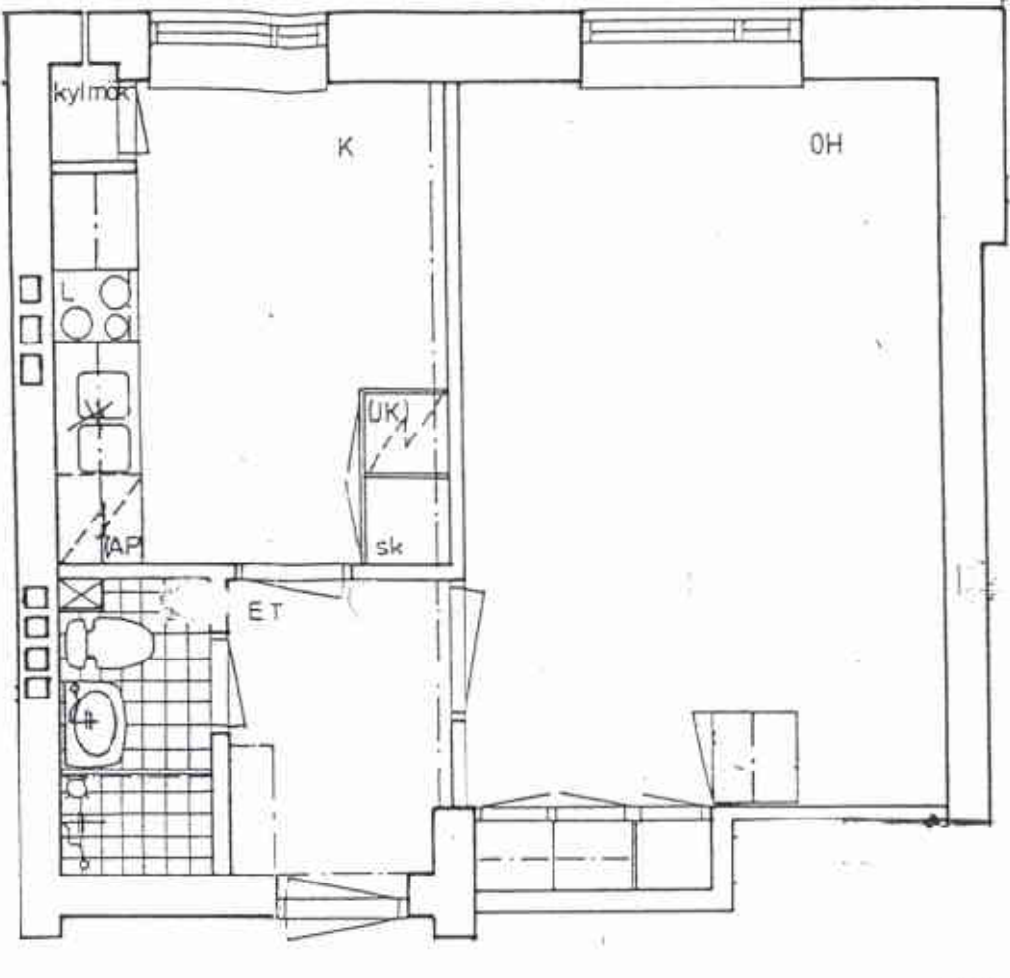
Tolarintie 8 X 189, 1. krs



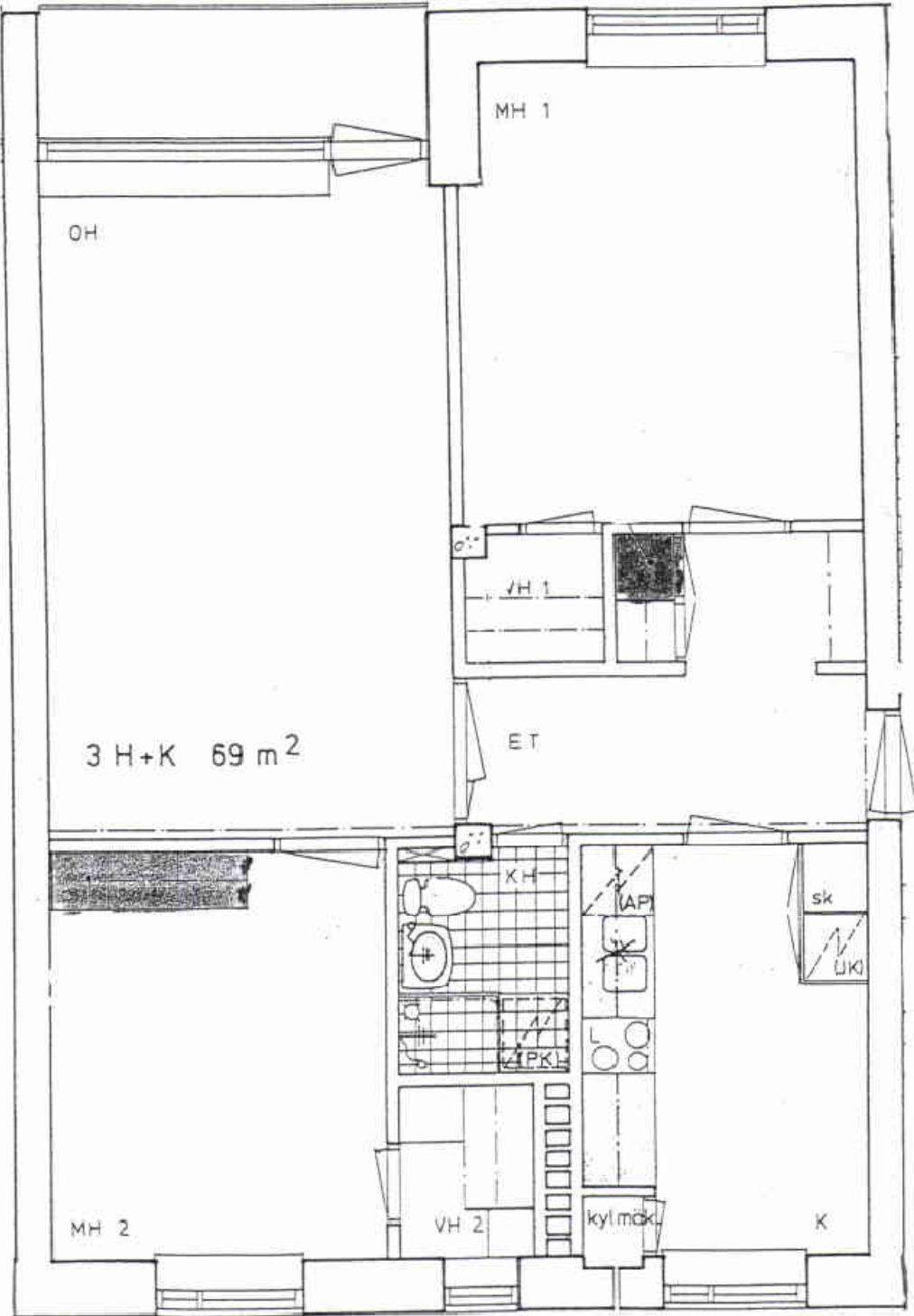
Tolarintie 8 X 190, 2. krs



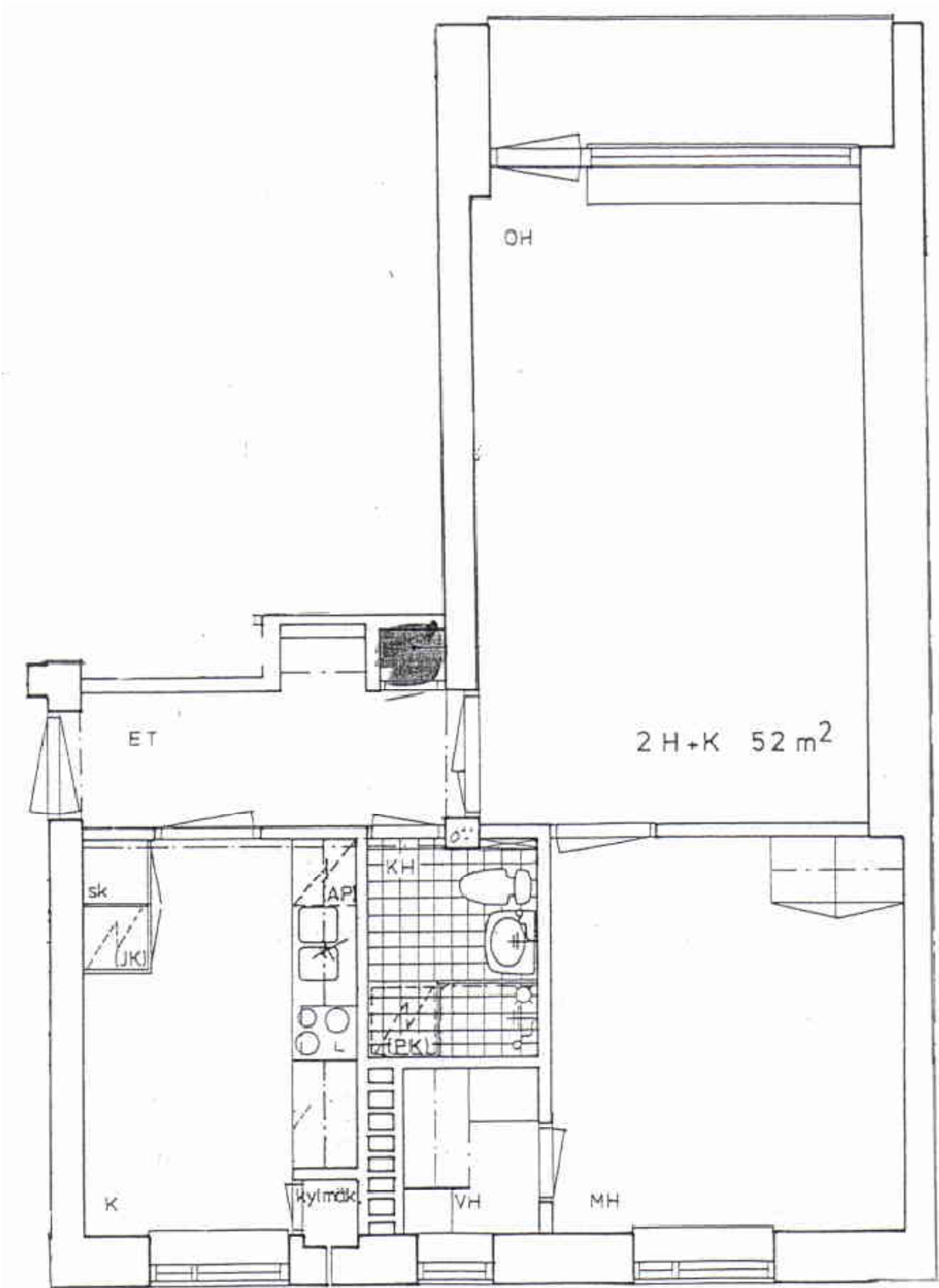
Tolarintie 8 X 191, 2. krs



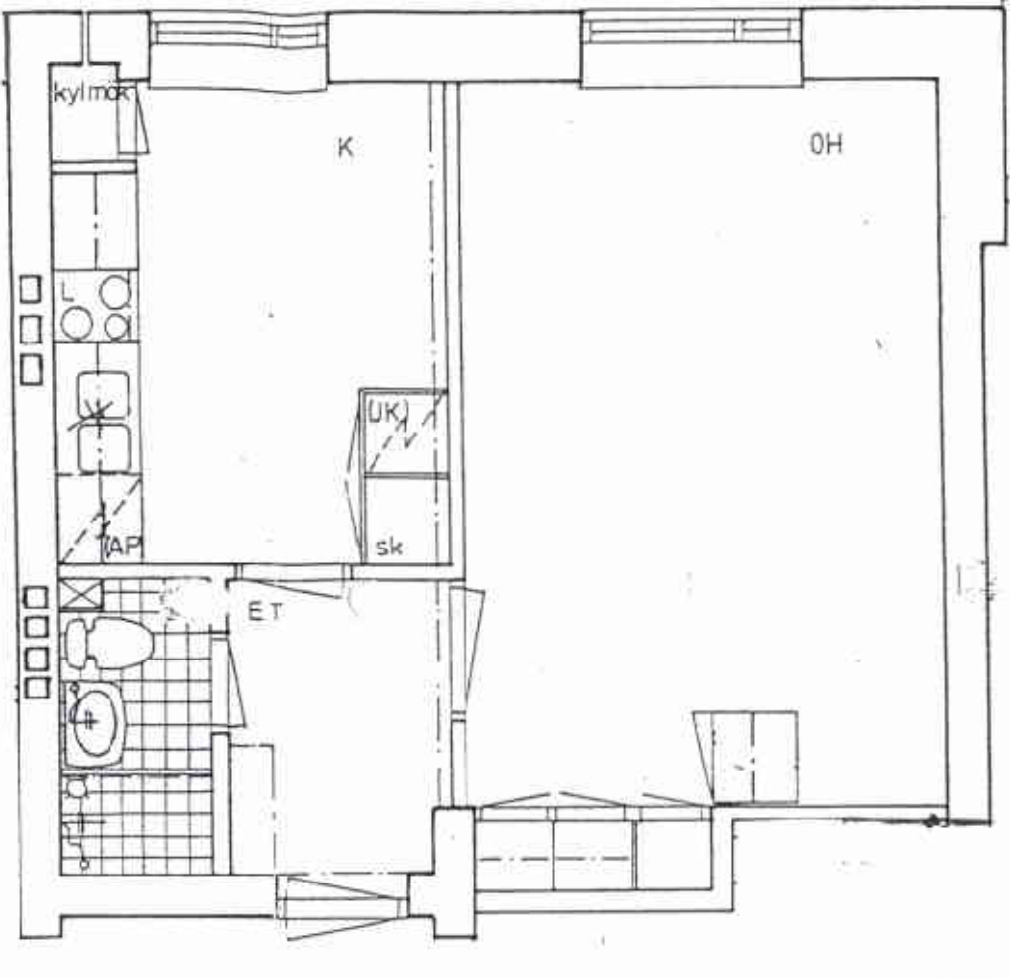
Tolarintie 8 X 192, 2. krs



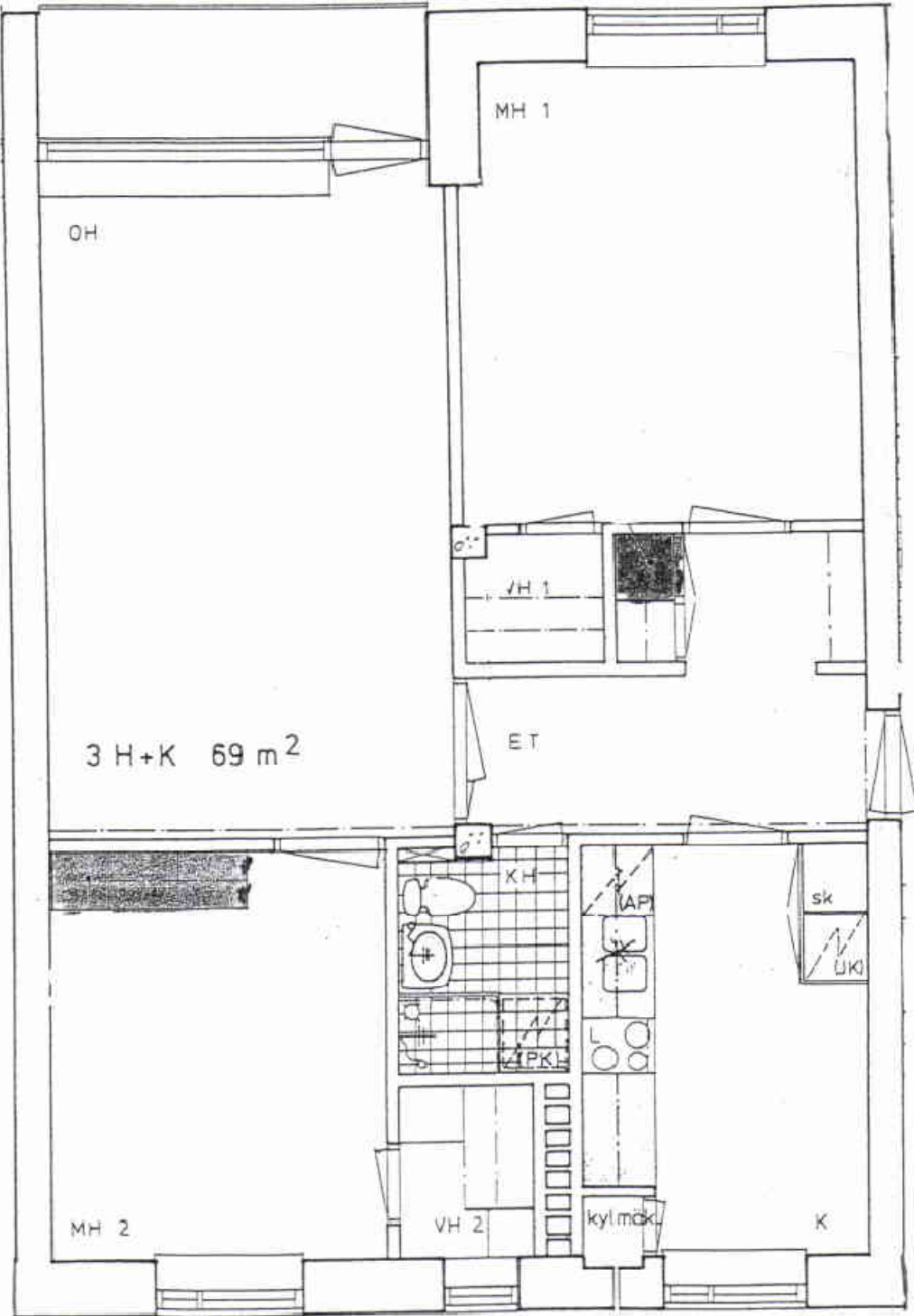
Tolarintie 8 X 193, 3. krs



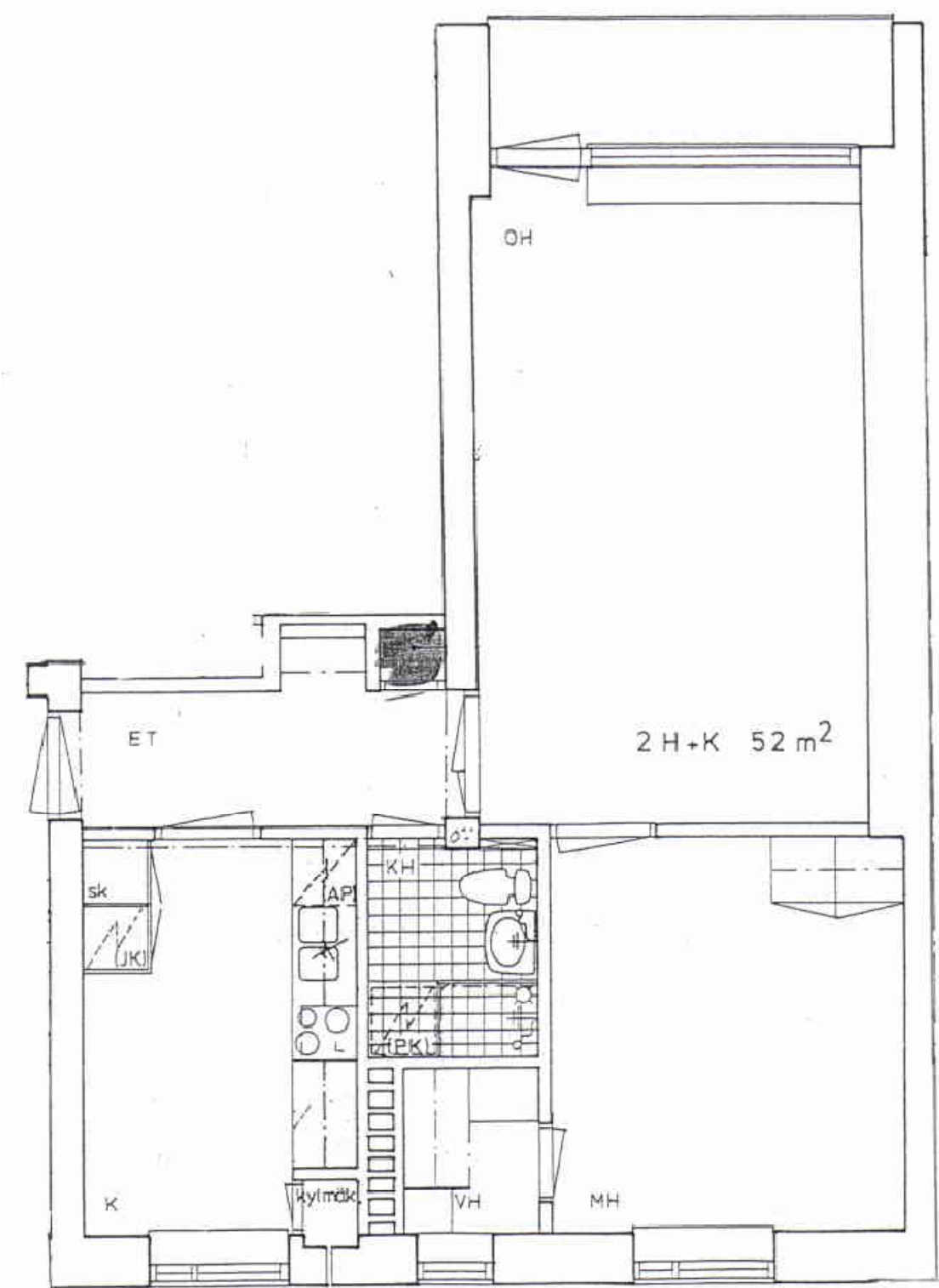
Tolarintie 8 X 194, 3. krs



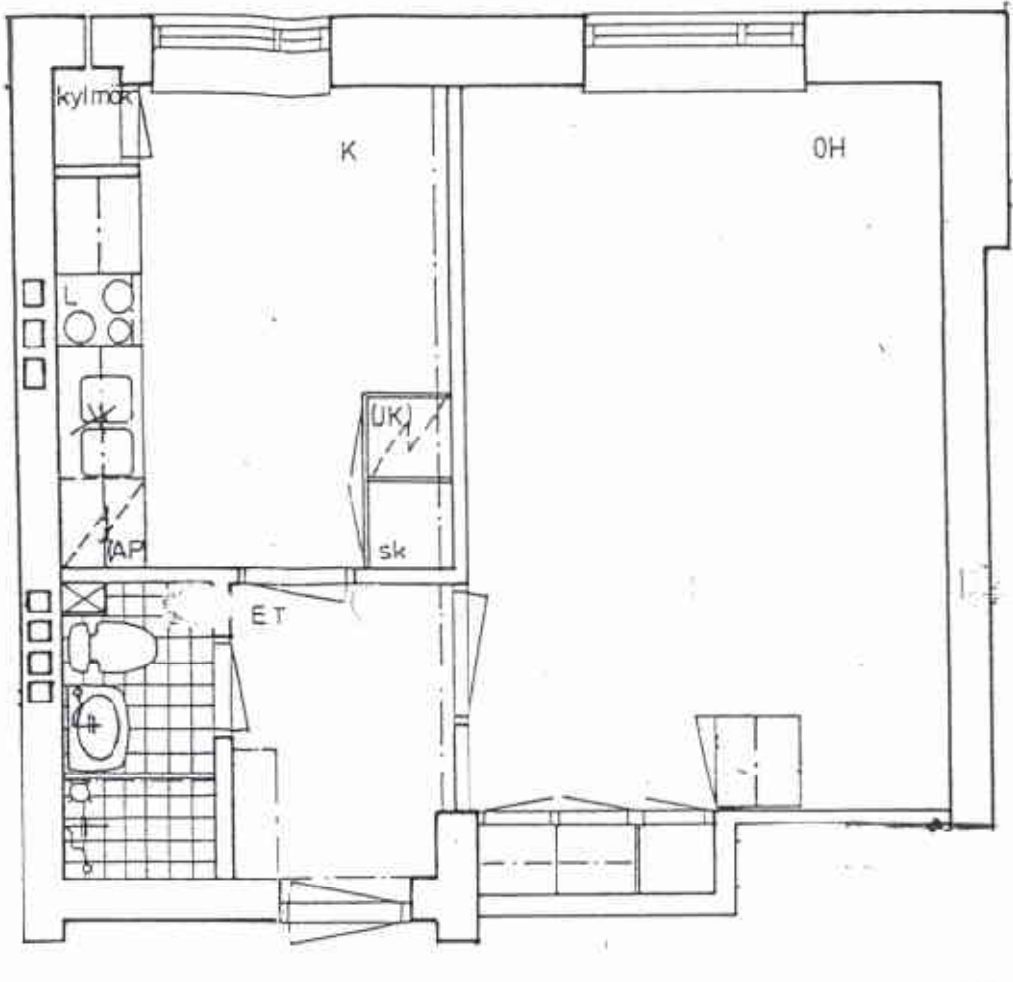
Tolarintie 8 X 195, 3. krs



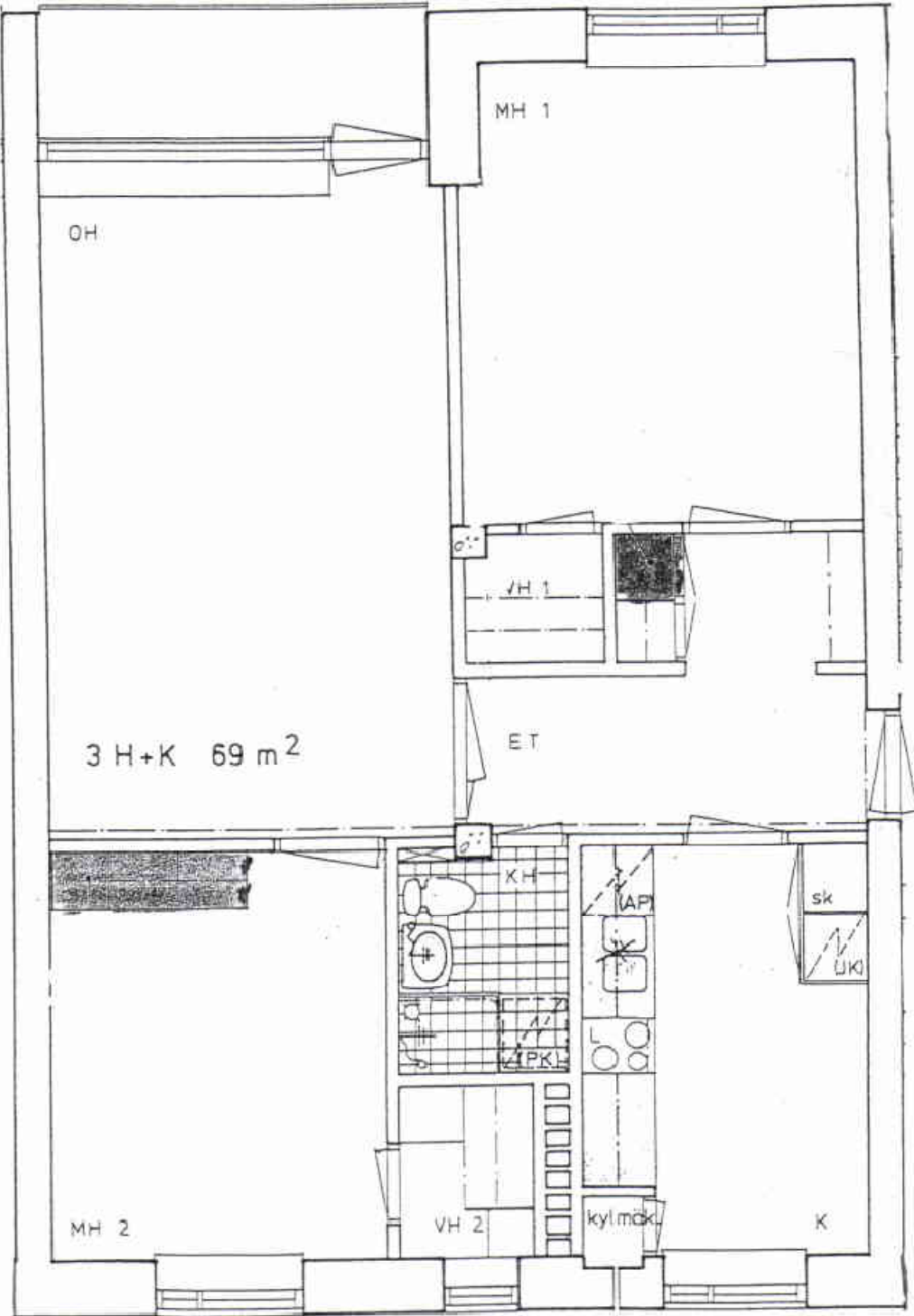
Tolarintie 8 Y 196, 1. krs



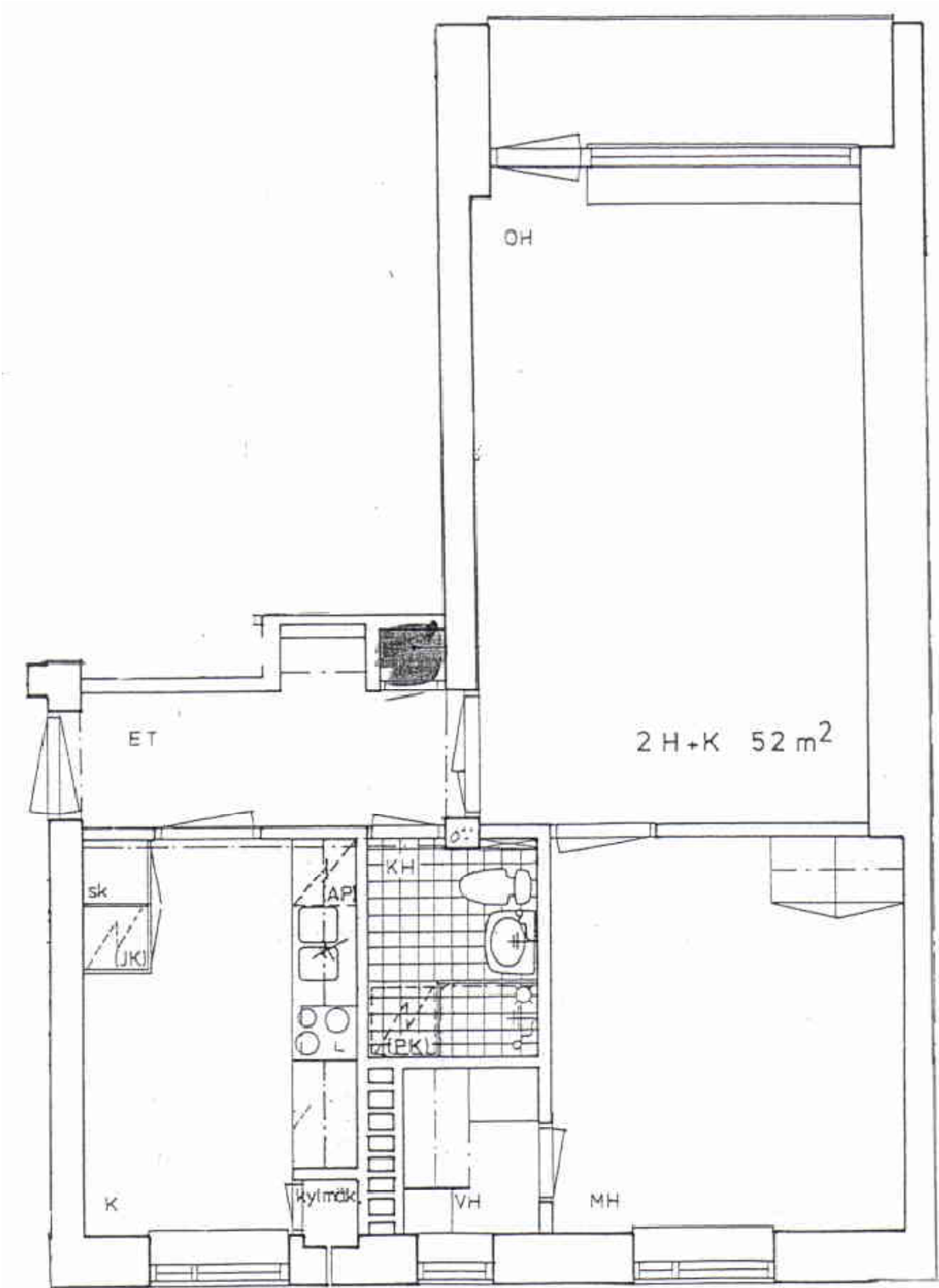
Tolarintie 8 Y 197, 1. krs



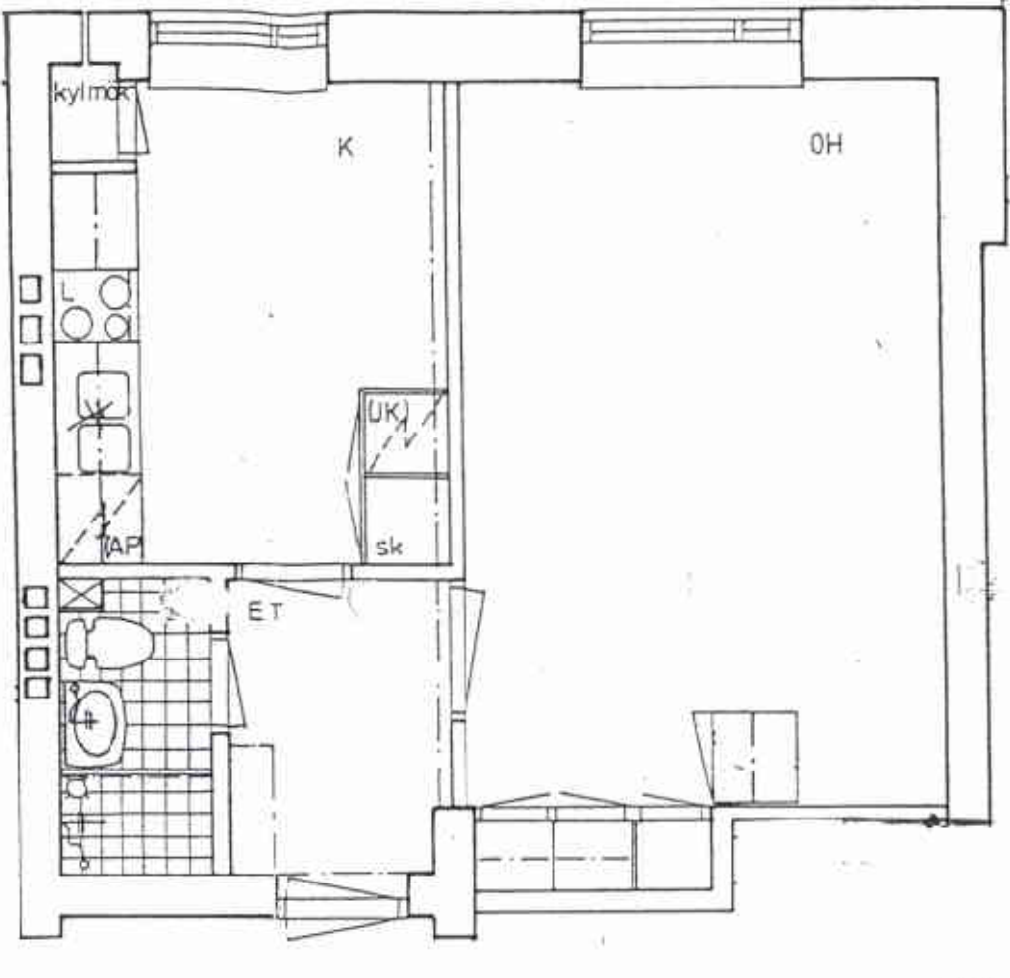
Tolarintie 8 Y 198, 1. krs



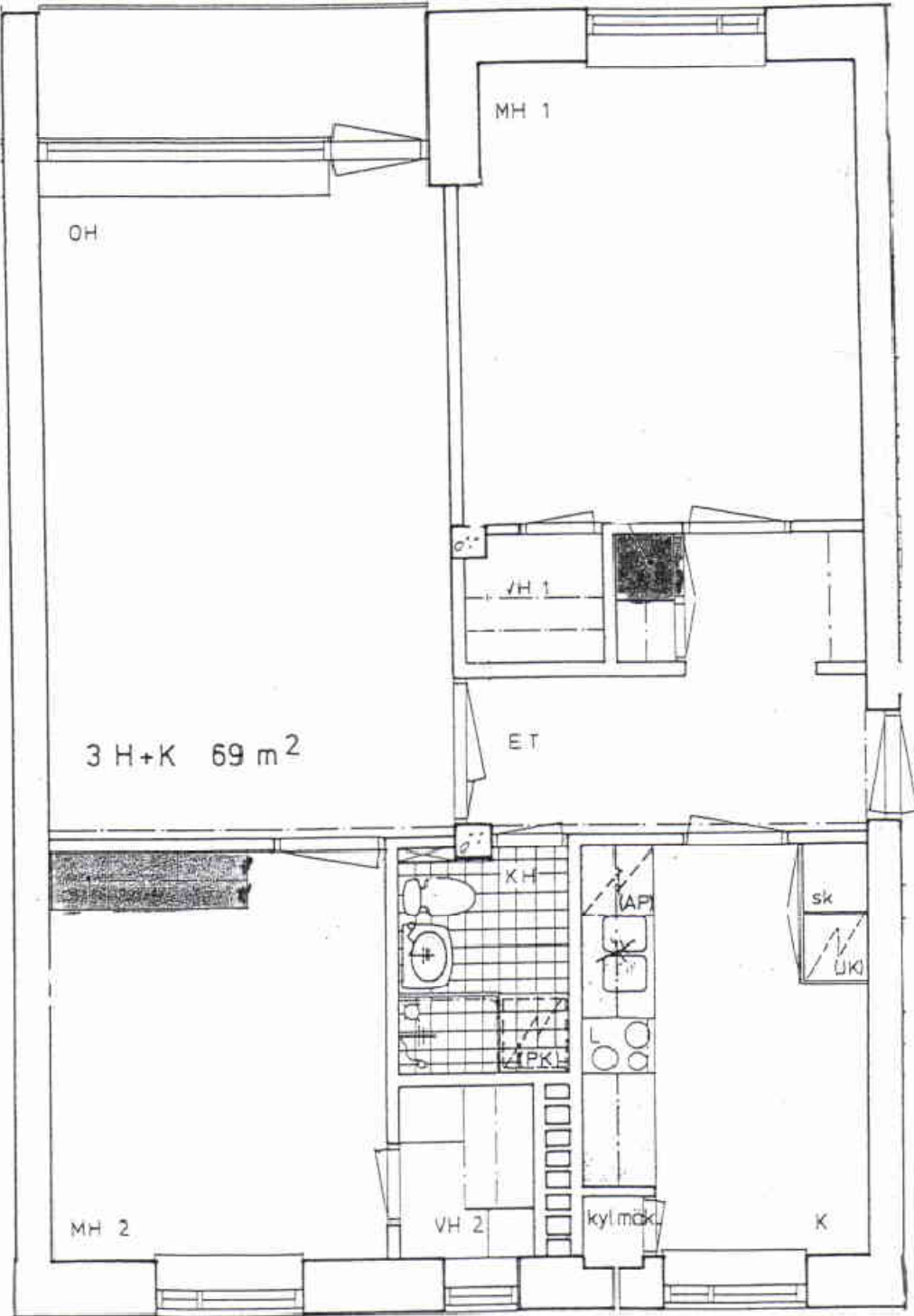
Tolarintie 8 Y 199, 2. krs



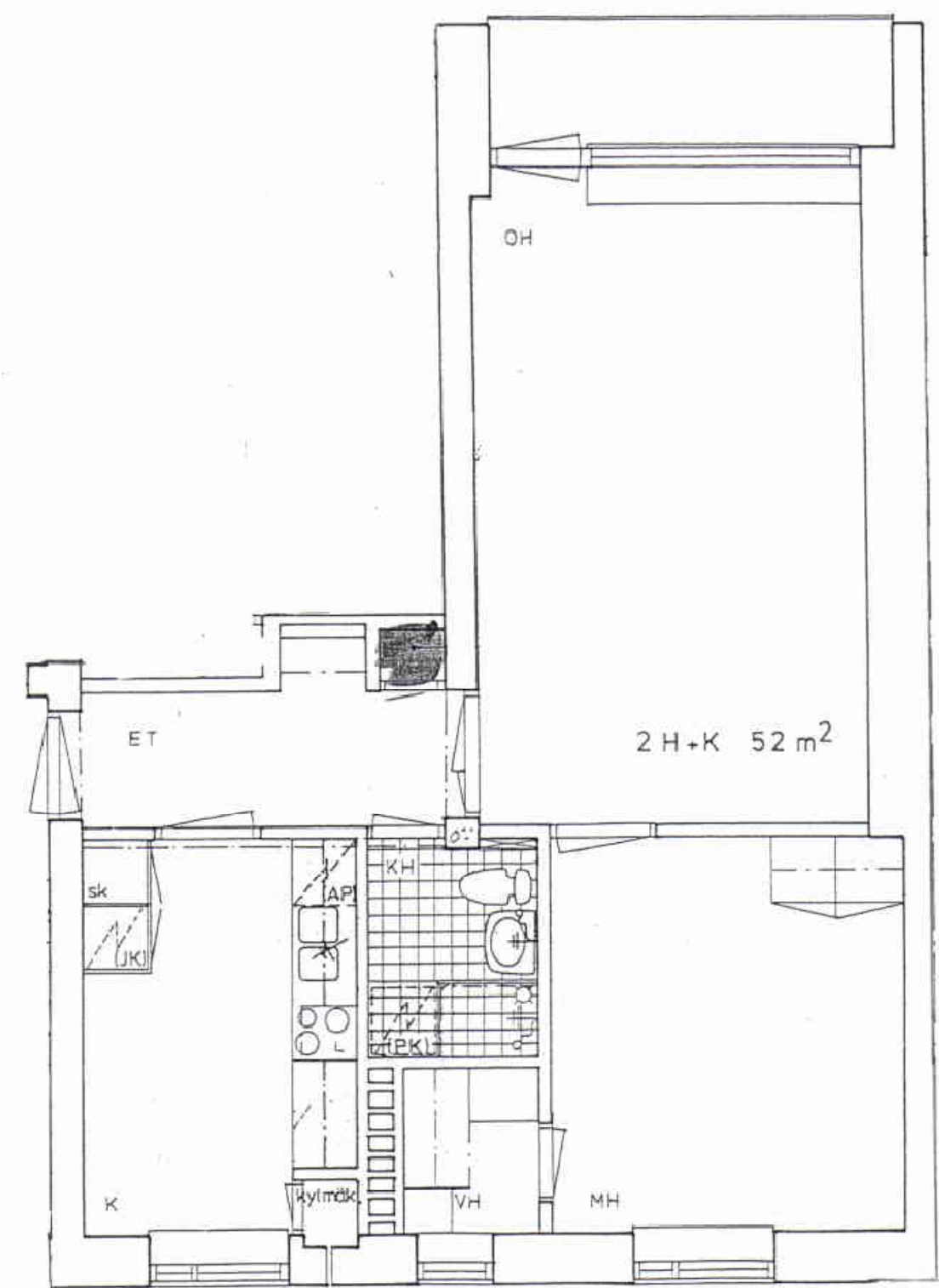
Tolarintie 8 Y 200, 2. krs



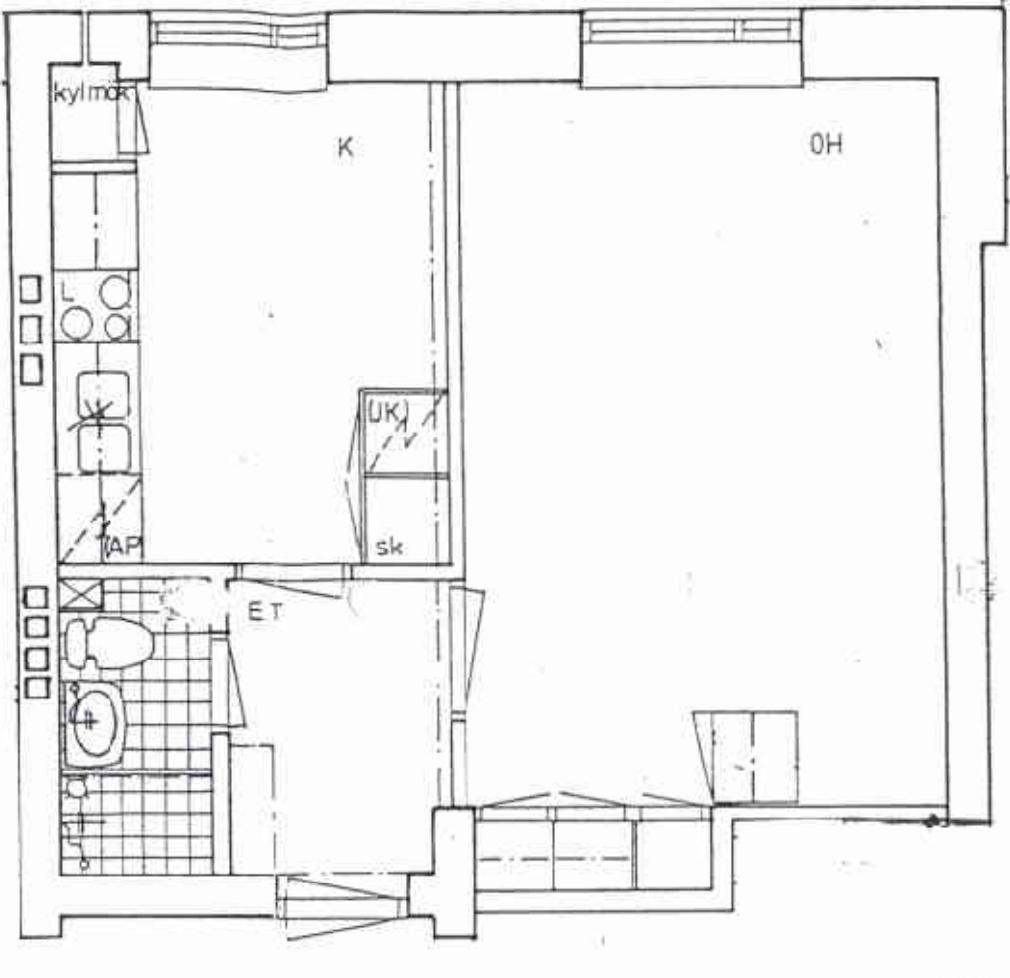
Tolarintie 8 Y 201, 2. krs



Tolarintie 8 Y 202, 3. krs



Tolarintie 8 Y 204, 3. krs



Tolarintie 8 Y 204, 3. krs

